

Figure 14 through Figure 16 illustrate the part markings for each available package.

Note: Package types can differ from the samples shown.

78 C37

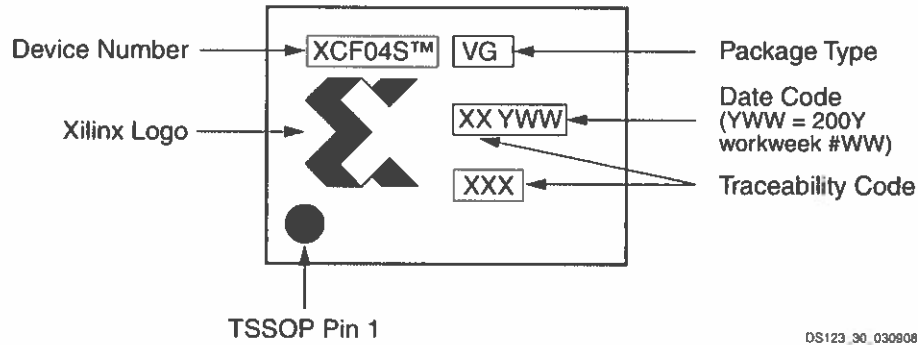


Figure 14: 20-Pin TSSOP Marking

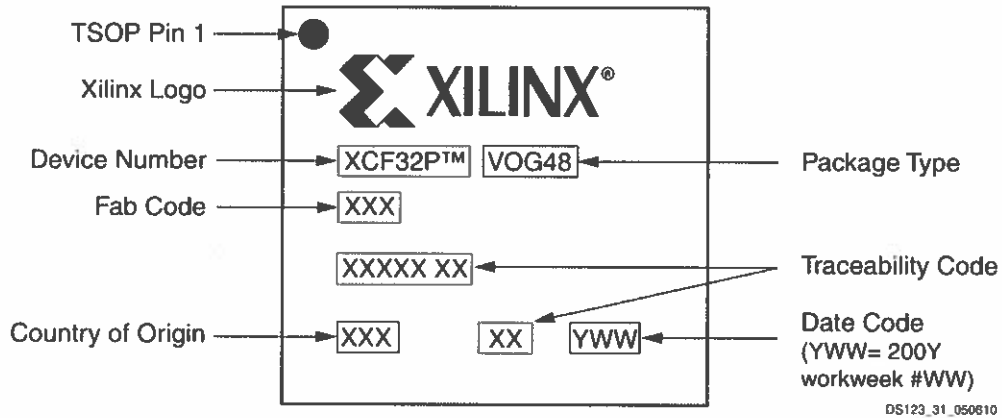


Figure 15: 48-Pin TSOP Marking

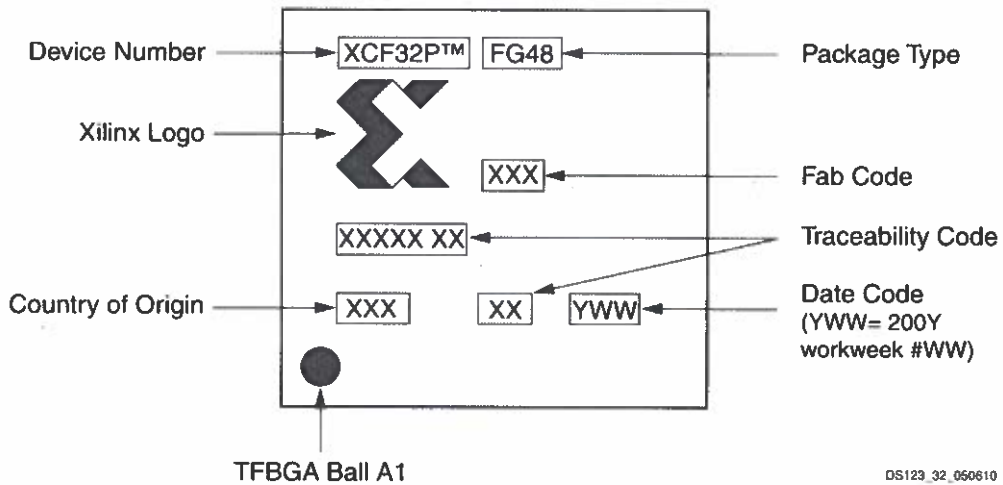


Figure 16: 48-Pin TFBGA Marking

Note: In Figure 15 and Figure 16, the two-digit traceability code on the bottom line between the country of origin and date code is not present on all devices.