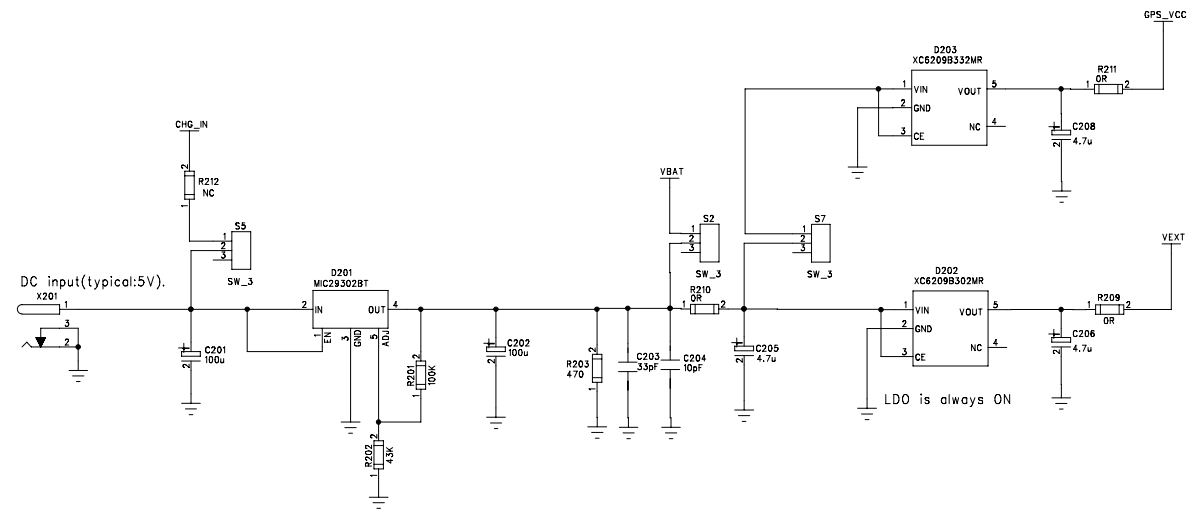
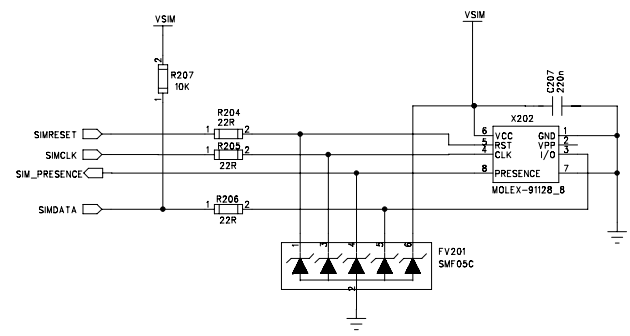


ECO MARK	No.	ECO No.	SIGNATURE	DATED	DRAWN		DATED		MODEL: MODULE	DRAWING No.:
					CHECKED		DATED			
					NORMALIZED		DATED		VERSION: SIM508 EVB V1.01	SHEET: 1/4
					APPROVED		DATED		TITLE: MODULE_INTERFACE	SIMCOM LIMITED

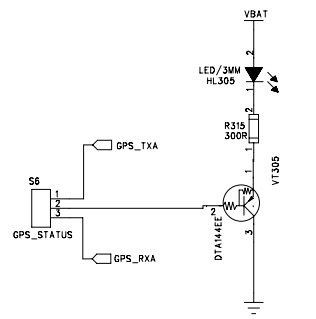
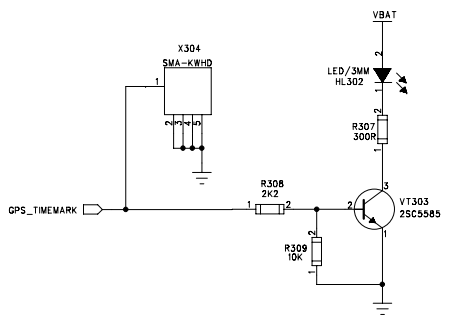
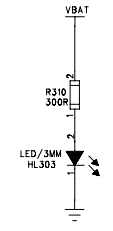
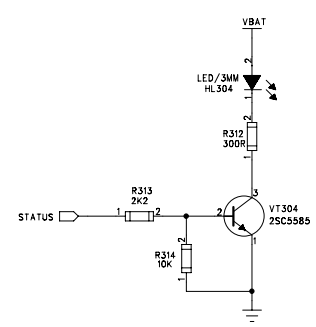
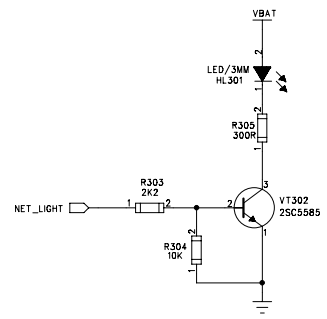
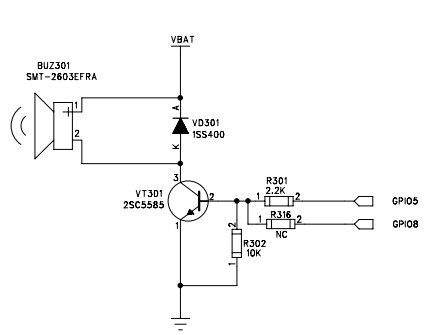
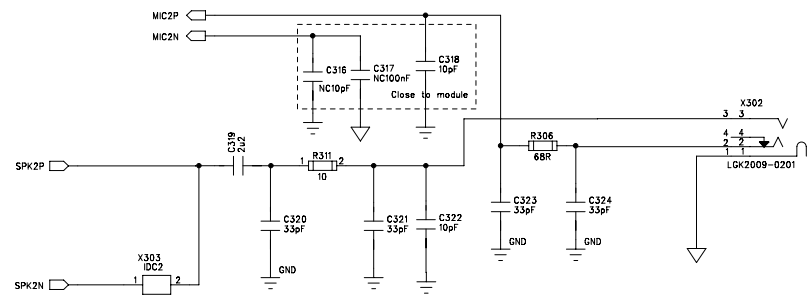
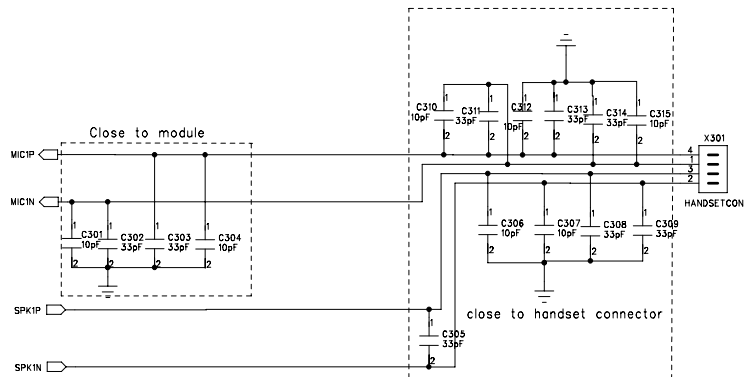


Adjust VBAT by the resitors.

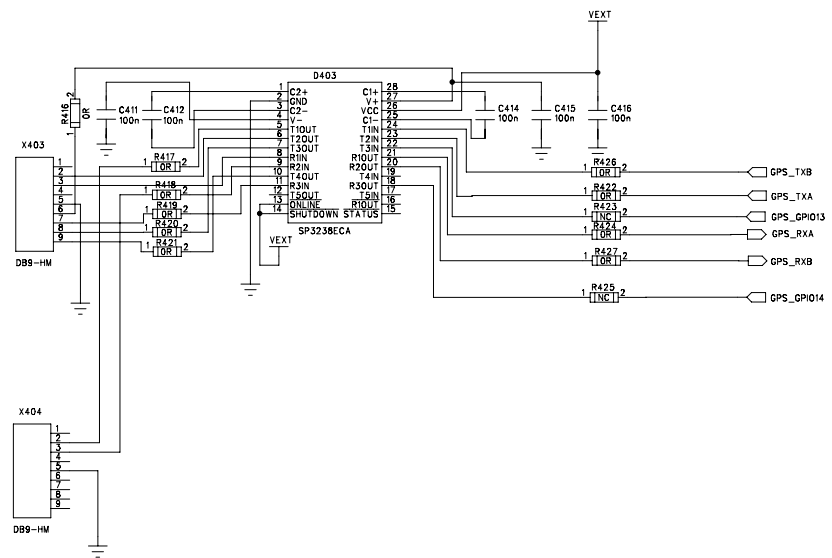
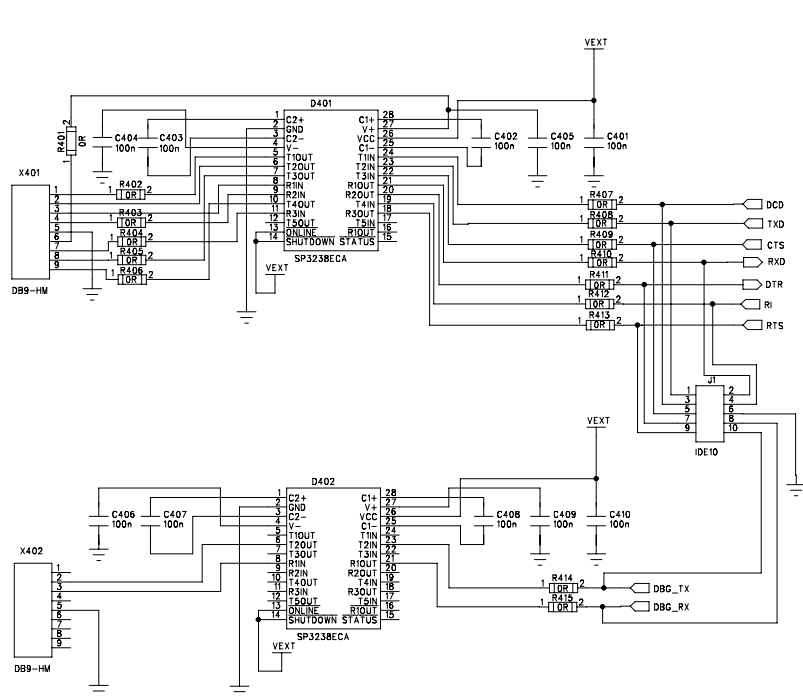


- 1.The value of VBAT is 4.2V
- 2.The value of VEXT is 3.0V
- 3.The value of GPS_VCC is 3.3V

ECO MARK	No.	ECO No.	SIGNATURE	DATED	DRAWN		DATED		MODEL: POWER	DRAWING No.:
					CHECKED		DATED		VERSION: SIM508 EVB V1.01	
					NORMALIZED		DATED		TITLE: POWERSUPPLY_SIM	SHEET: 2/4
					APPROVED		DATED			SIMCOM LIMITED



ECO MARK	No.	ECO No.	SIGNATURE	DATED	DRAWN		DATED		MODEL: AUDIO&PERIPHERAL	DRAWING No.:
					CHECKED					
					NORMALIZED				VERSION: SIM508 EVB V1.01	
					APPROVED				TITLE: AUDIO_PERIPH	SHEET: 3/4
										SIMCOM LIMITED



ECO MARK	No.	ECO No.	SIGNATURE	DATED	DRAWN	DATED	MODEL: EXT_INTERFACE	DRAWING No.:	
					CHECKED				
					NORMALIZED		VERSION:SIM508 EVB V1.01		
					APPROVED		TITLE:EXTERNAL_INTERFACE	SHEET: 4/4	SIMCOM LIMITED